

## Solid State High Power Amplifier Systems

40-50GHz /36dB Gain/35dBm Psat/220V AC

Model: TLPA40G50G-36-35-BC

TLPA40G50G-36-35-BC is a solid state high power amplifier systems provides high output power and high gain across the 40 to 50 GHz frequency range. The amplifier features a built-in 220V power supply, making it easy to use in most lab environments. This model features thermal self protection, preventing damage to the amplifier and providing added reliability.

### Features:

- Wide Band: 40-50GHz
- Gain: 36dB Typ
- Psat Output Power:35dBm Min
- Protection:Over TEM,over voltage, over current ,over VSWR protection
- 50 Ohm Matched Input / Output



### 电气特性 Electrical Characteristics:

参数 Parameter	代码 Symbol	Min	Typ	Max	单位 Units
频率范围 Frequency range	BW	40-50			GHz
增益 Gain	GP	35	36		dB
饱和输出功率 Output Psat	Psat	36			dBm
杂散 Spurious	Spur			-50	dBc
输入驻波 Input VSWR	VSWRin			2.0	:1
交流电压 AC Voltage	Vac		220		V AC
功耗 Power Consumption	Pdiss	120@Max			W
阻抗 Impedance	I/O-IMP	50			Ohms

## 机械特性 Mechanical Specifications:

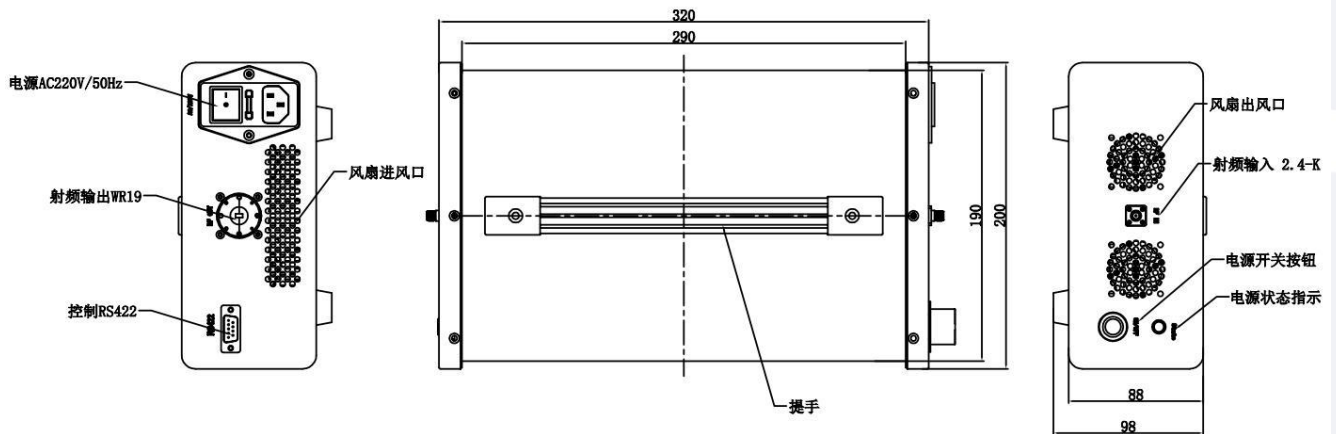
参数 Parameter	指标 Value	单位 Units
输入/输出接口 Input /Output Connector	2.4mm Female/WR 19	
通信接口 Communication Connector	RJ45	
尺寸 Size	320*200*88	mm
重量 Weight	≤7.5	Kg

## 绝对最大值 Absolute Maximum Ratings:

参数 Parameter	指标 Value
输入功率 RF Input Power	+5 dBm
ESD灵敏度 ESD sensitivity (HBm)	Class 0, passed 150V

## 外形图 Outline Drawing:

Unit:mm



## 主要功能 Key Features:

参数 Parameter	特点 Advantages
控制功能 Control functions	1, Power setting On/Off
内置保护功能 Protection functions	Over voltage
监控和控制 Remote control	RS422
冷却系统 Cooling system	Built in Cooling system,forced air cooling

## 温度环境 Environmental Conditions:

参数 Parameter	Min	Typ	Max	单位 Units
操作温度 Operating Temperature*	0		+40	°C
存储温度 Non-operating Temperature*	-10		+50	°C
相对湿度 Relative humidity		95		%
海拔 Altitude	10,000			feet
震动 Shock / Vibration(MIL-STD-810F)	25g rms (15 degree 2KHz) endurance, 1 hour per axis			
冲击 Shock(non operating)	20G for 11msc half sin wave,3 axis both directions			

\*Note: For a wider temperature range, please consult the manufacturer.

## 订货信息 Ordering Information:

标准型号 Base Number	描述 Description	版本号 Revision
TLPA40G50G-36-35-BC	Solid State High Power Amplifier Systems 40-50GHz,Gain:35dB,Psat:36 dBm,220V AC,Built in Fan Cooling	Rev.1.0