

## V-Band, Active Frequency Multiplier

WR-15/X4/45-70GHz /7dBm Output Power

Model: TMAM-045070-0407-15

TMAM-045070-0407-15 is an active X4 frequency multiplier. The multiplier has an input frequency of 11.25 to 17.5 GHz with a typical input power of +5 dBm and an output frequency of 45 to 70 GHz with a typical output power of +7 dBm. The DC power requirement for the multiplier is +12 V DC/110 mA. The input port configuration is a female SMA connector and the output is a WR-15 waveguide with a UG-385/U-M anti-cocking flange.

### Features:

- Output Frequency: 45-70GHz
- Output Power :7dBm Typ
- Low power consumption

### Applications:

- Frequency Extenders
- THz Systems

### 电气特性 Electrical Characteristics:

参数 Parameter	Min	Typ	Max	单位 Units
输出频率 Output Frequency	45		70	GHz
输出功率 Output Power		7		dBm
输入频率 Input Frequency	11.25		17.5	GHz
输入功率 Input Power	3	5	7	dBm
倍频次数 Multiply Factor		4		
谐波抑制 Harmonic Suppression		-15		dBc
供电电压 DC Voltage		12		V
供电电流 DC Supply Current		110		mA

### 机械特性 Mechanical Specifications:

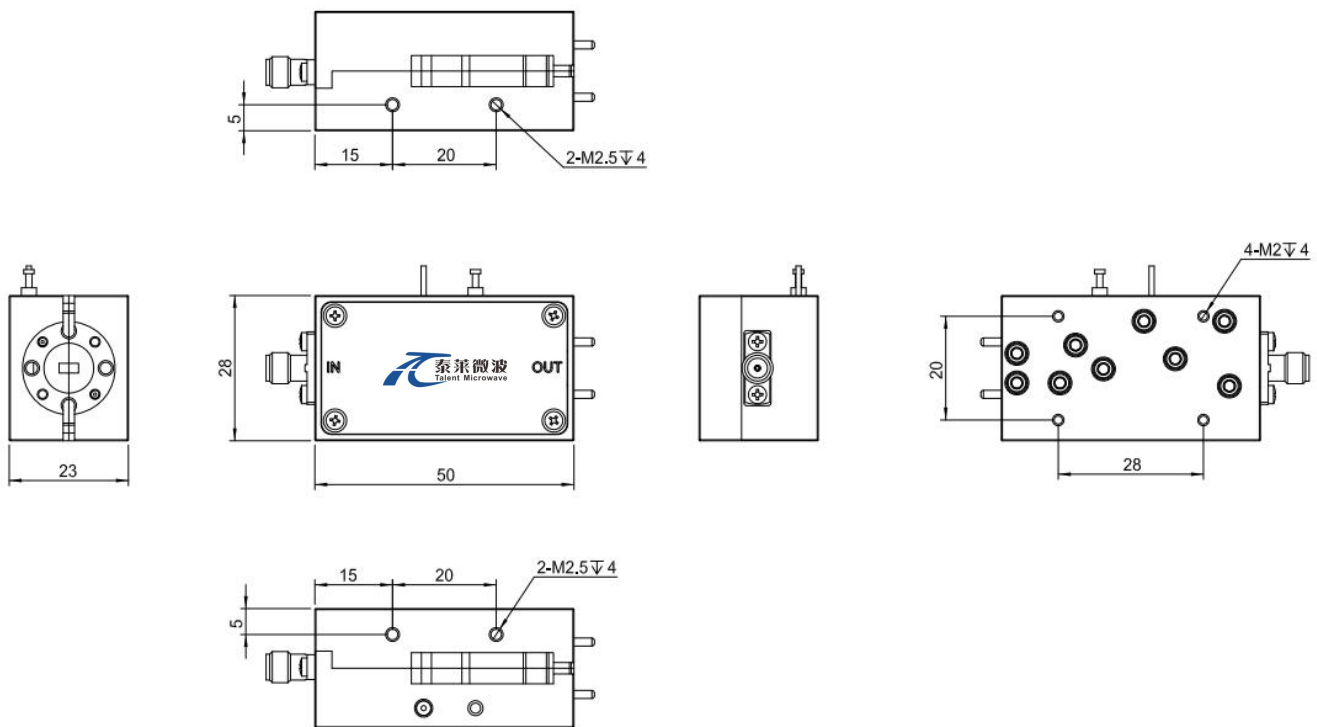
参数 Parameter	指标 Value	单位 Units
输出接口 Output Connector	WR-15/UG-385/U	
输入接口 Input Connector	SMA Female	
直流偏置 DC Bias	Solder Pin	
尺寸 Size	50*28*23	mm

## 绝对最大值 Absolute Maximum Ratings:

参数 Parameter	指标 Value
供电偏置电压 Supply Bias Voltage	+15 V
输入功率 RF Input Power	+10 dBm
ESD灵敏度 ESD sensitivity (HBm)	Class 0, passed 150V

## 外形图 Outline Drawing:

Unit:mm



ESD Protection: Strictly adhere to ESD precautions to prevent electrostatic damage.

## 温度环境 Environmental Conditions:

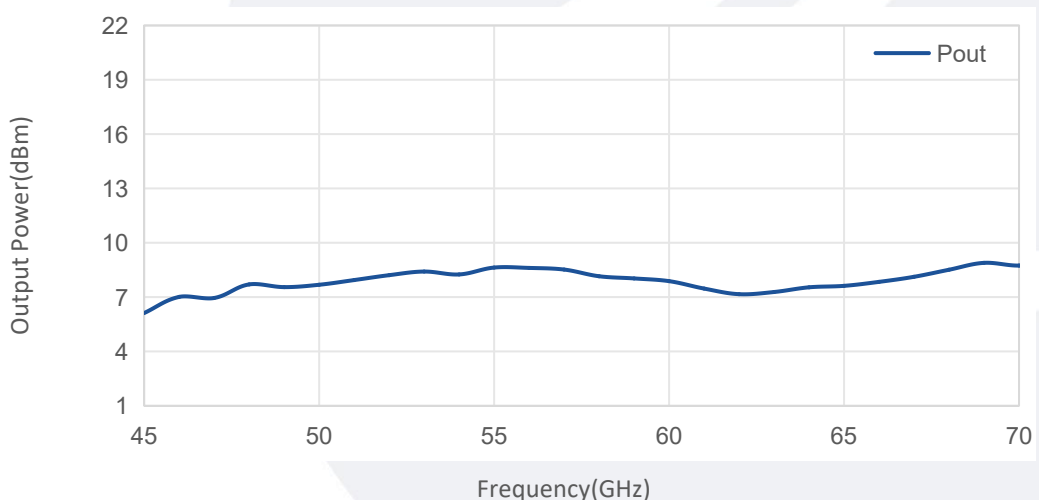
参数 Parameter	Min	Typ	Max	单位 Units
操作温度 Operating Temperature	-10		+65	°C
存储温度 Non-operating Temperature	-45		+85	°C
相对湿度 Relative humidity		95		%
海拔 Altitude	50,000			feet
震动 Shock / Vibration(MIL-STD-810F)	25g rms (15 degree 2KHz) endurance, 1 hour per axis			
冲击 Shock(non operating)	20G for 11msc half sin wave,3 axis both directions			

## 订货信息 Ordering Information:

标准型号 Base Number	描述 Description	版本号 Revision
TMAM-045070-0407-15	Active Multiplier,X4,45-70GHz, Output Power:7dBm,WR-15/UG-385/U,SMA Female	Rev.1.1

## 典型曲线 Typical Performance Data:

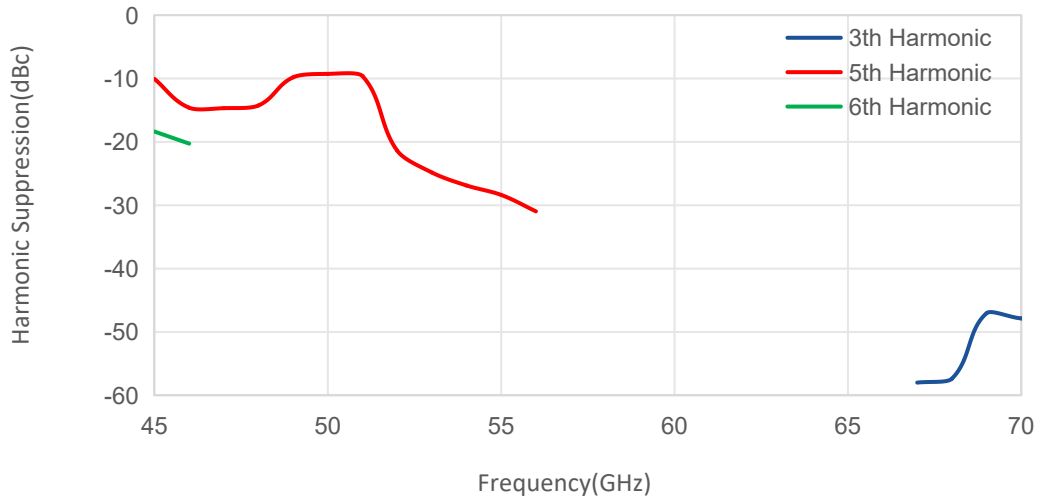
### Output Power vs Frequency



Note: Above data is for ref only, actual data may vary from unit to unit depending on operating environment and other factors like material lots etc.

## 典型曲线 Typical Performance Data:

### Harmonic Suppression vs Frequency



Note: Above data is for ref only, actual data may vary from unit to unit depending on operating environment and other factors like material lots etc.